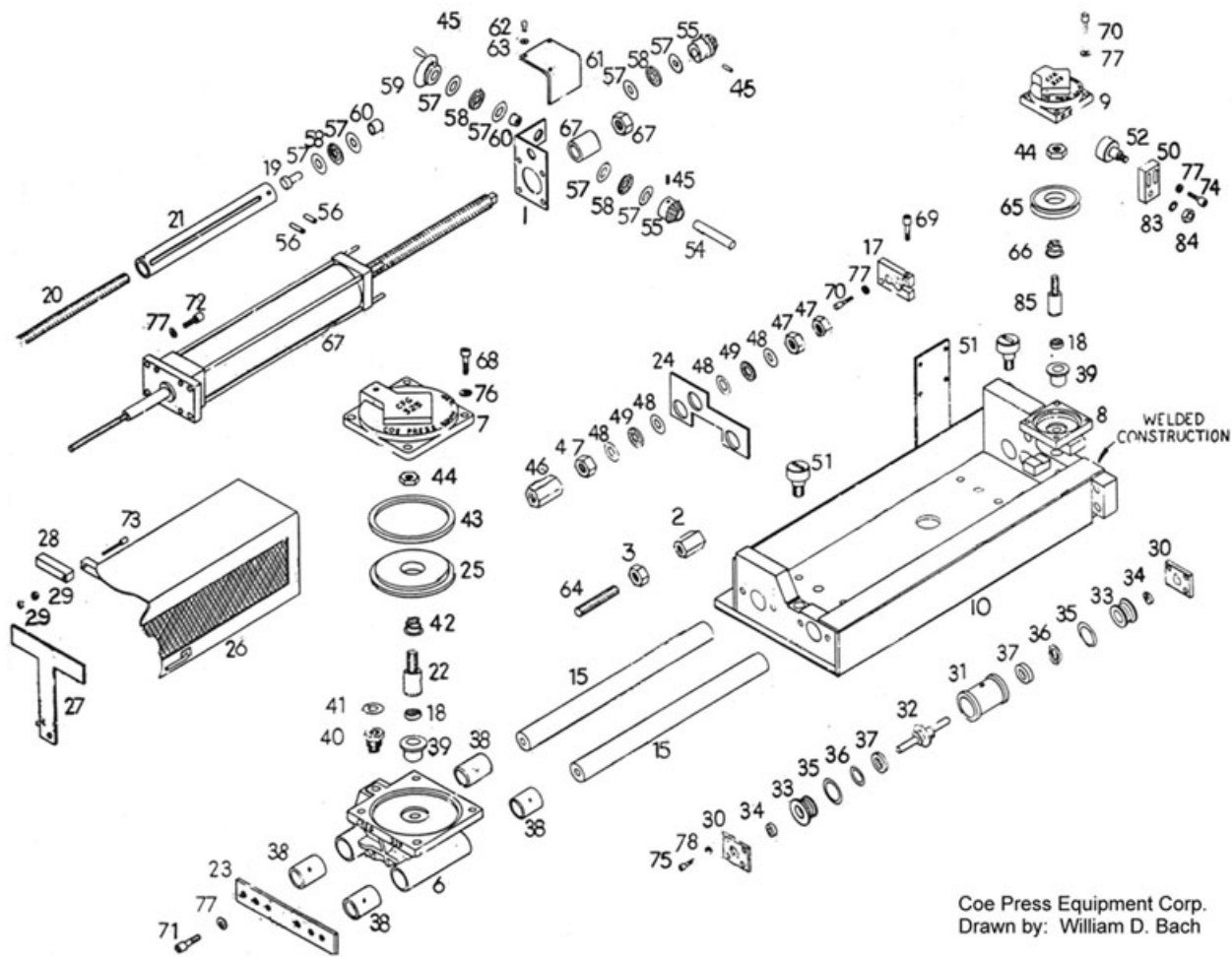


Coe Press Equipment - Air Feed Parts List



[10](#) [12](#) [14](#) [16](#) [18](#) [20](#) [22](#) [24](#) [26](#) [28](#) [30](#) [32](#) [34](#) [36](#) [38](#) [40](#) [42](#) [44](#) [46](#) [48](#) [50](#) [52](#) [54](#) [56](#) [58](#) [60](#) [62](#) [64](#) [66](#) [68](#) [70](#) [72](#) [74](#) [76](#) [78](#) [80](#) [84](#) [86](#)

ITEM#	PART DESCRIPTION	CF-150	CF-200	CF-250	CF-325	CF-400	CF-500	CF-600
* Indicate Width, Length and Feed Direction When Ordering Parts								
1	90° Handwheel Bracket Assembly	C2745	C2745	C2745	C2745	C2745	C2745	C2745
2	Stop Nut	07010001	07010001	07010001	07010001	07010001	07010001	07010001
3	Hex Nut	58120001	58120001	58120001	58120001	58120001	58120001	58120001
4	Gripper Assembly	D2166	D2166	D2150	D2150	D2566	D2566	
5	Str. Handwheel Bracket	B1106A	B1106B	B1017A	B1017B	B1065A	B1065B	B1228
6	Gripper Body	D0206	D0206	T0003	T0003	T0307	T0307	D0268
7	Gripper Cap	B0808	B0808	C0459	C0459	D0127	D0127	D0269
8	Retainer Plate	B0990	B0990	B0990	B0990	B0809	B0809	B2050
9	Retainer Cap	B1013	B1013	B1013	B1013	B0808	B0808	D0270
10	Feed Base	Call for Quote						
11	Stroke Length Indicator Scale	1005	1005	1005	1005	1005	1005	1005
12	Lockwasher	56080001	56080001	56080001	56080001	56080001	56080001	56080001
13	Hex Nut	58080002	58080002	58080002	58080002	58080002	58080002	58080002
14	90° Grease Fitting	06050002	06050002	06050002	06050002	06050002	06050002	06050002

15	Guide Bar	A1280-00	A1280-00	A3673-00	A3673-00	A1074-00	A1074-00	A1532-00	
*		Check Thread Size for Clamp Blocks on CF-150 & CF-200							
17*	Clamp Block	A1371	A1371	A1279	A1279	B0811	B0811	B0811	
17*	Air Operated Clamp Block	B2967	B2967	B2967	B2967	B2660	B2660	B2660	
18	Gripper Button (Serrated)	A1079A	A1079A	A1079A	A1079A	A1540A	A1540A	A1540A	
18	Retainer Button (Serrated)	A1079A	A1079A	A1079A	A1079A	A1079A	A1079A	A1079A	
18	Gripper Button (Smooth)	A1079B	A1079B	A1079B	A1079B	A1540B	A1540B	A1540B	
18	Retainer Button (Smooth)	A1079B	A1079B	A1079B	A1079B	A1079B	A1079B	A1079B	
18	Gripper Button (Nylon)	A2272	A2272	A2272	A2272	A2603	A2603	A2603	
18	Retainer Button (Nylon)	A2272	A2272	A2272	A2272	A2272	A2272	A2272	
18	Gripper Button (V-Groove)	A2840	A2840	A2840	A2840	A2844	A2844	A2844	
18	Retainer Button (V-Groove)	A2840	A2840	A2840	A2840	A2840	A2840	A2840	
19	Adjusting Screw Cover Plug	A1076	A1076	A1076	A1076	A1076	A1076	A1076	
20*	Adjusting Screw	A1073A	A1073A	A1073B	A1073B	A1073C	A1073C	A1073	
21*	Adjusting Screw Cover	A1075A	A1075A	A1075B	A1075B	A1075B	A1064	A1064	
22	Gripper Piston (Serrated)	A1283A	A1283A	A1283A	A1283A	A1078A	A1078A	A3130A	
22	Gripper Piston (Smooth)	A1283B	A1283B	A1283B	A1283B	A1078B	A1078B	A3130B	
22	Gripper Piston (Nylon)	A2606	A2606	A2606	A2606	A1088	A1088	A2274	
23	Guide Bar Lockplate	A1370	A1370	B1015	B1015	A1069	A1069	B2051	
24	Adjusting Screw Support	B0277	B0277	B0250	B0250	B0814	B0814	B2048	
25	Flat Piston (Grip)	N/A	N/A	B1019	B1019	B0807	B0807	C0572	
26*	Safety Cover	B1021	B1021	B1021	B1021	B1021	B1021	B1021	
27	Safety Cover Bracket	B1020A	B1020A	B1020A	B1020A	B1020A	B1020A	B1020A	
28	Safety Cover Hinge	A1083	A1083	A1083	A1083	A1083	A1083	A1083	
29	Lock Nut	60060001	60060001	60060001	60060001	60060001	60060001	60060001	
30	Air Cushion Stop Plate	A1084	A1084	A1084	A1084	A1084	A1084	A1927	
31	Air Cushion Bushing	B0818	B0818	B0818	B0818	B0818	B0818	B2488	
32*	Air Cushion Spool	B3799C	B3799C	B3799E	B3799E	B3799F	B3799F	A1925	
33	Air Cushion End Cap	A1086	A1086	A1086	A1086	A1086	A1086	A1926	
34	Air Cushion U-Cup (Small)	08030010	08030010	08030010	08030010	08030010	08030010	08030010	
35	Air Cushion O-Ring (Large)	08020002	08020002	08020002	08020002	08020002	08020002	08020004	
36	Air Cushion O-Ring (Small)	08020001	08020001	08020001	08020001	08020001	08020001	08020003	
37	Air Cushion U-Cup (Large)	08030011	08030011	08030011	08030011	08030011	08030011	08030013	
38	Guide Bar Bushing	01070026	01070026	01070026	01070026	01070030	01070030	01070034	
39	Gripper T-Bushing	01070206	01070206	01070206	01070206	01070207	01070207	01070207	
39	Retainer T-Bushing	01070206	01070206	01070206	01070206	01070206	01070206	01070206	
40	O-Check	08080001	08080001	08080001	08080001	08080001	08080001	08080001	
41	O-Check Seal	08080005	08080005	08080005	08080005	08080005	08080005	08080005	
42	Spring (Gripper)	A2133	A2133	A2133	A2133	A2132	A2132	A1531	
43	U-Cup(Gripper)	B2879	B2879	08030005	08030005	08030006	08030006	08030007	
44	Castle Nut	60120002	60120002	60120002	60120002	60120002	60120002	60120002	
45	Roll Pin	62030003	62030003	62030003	62030003	62030003	62030003	62030003	

46	Stop Nut	07010002	07010002	07010002	07010002	07010002	07010002	07010002
47	Hex Nut	58160001	58160001	58160001	58160001	58160001	58160001	58160001
48	Thrust Washer	01060013	01060013	01060013	01060014	01060014	01060014	01060014
49	Thrust Bearing	01060003	01060003	01060003	01060004	01060004	01060004	01060004
50	Hold Down Bracket	A2109	A2109	A2109	A2109	A2109	A2109	A2109
51	CAM Follower	01080001	01080001	01080002	01080002	01080005	01080005	01080007
52	CAM Follower	01080001	01080001	01080001	01080001	01080001	01080001	01080001
54	Handwheel Shaft	31080005-0044	31080005-0044	31080005-0044	31080005-0044	31080005-0044	31080005-0044	31080005-0044
55	Handwheel Gear	27060003	27060003	27060003	27060003	27060003	27060003	27060003
56	Roll Pin	62030003	62030003	62030006	62030006	62030006	62030006	62030006
57	Thrust Washer	01060011	01060011	01060011	01060011	01060011	01060011	01060011
58	Thrust Bearing	01060001	01060001	01060001	01060001	01060001	01060001	01060001
59	Handwheel	B3251	B3251	B3251	B3251	B3251	B3251	B3251
60	Bushing	01070002	01070002	01070002	01070002	01070002	01070002	01070002
61*	Handwheel Cover	B0817	B0817	B0817	B0817	B0817	B0817	B0817
62	SHCS	51010060	51010060	51010060	51010060	51010060	51010060	51010060
63	LOCKWASHER	56010004	56010004	56010004	56010004	56010004	56010004	56010004
64	Set Screw	63120006	63120006	63160006	63160006	63160006	63160006	63160001
65	Retainer U-Cup	B2750	B2750	B2750	B2750	B2879	B2879	B3122
66	Retainer Spring	A2134	A2134	A2134	A2134	A2133	A2133	A2132
67*	Air Cylinder	Call for Quote						
68	SHCS	51100005	51100005	51100005	51100005	51120007	51120007	51160007
69	SHCS	51060008	51060008	51060008	51060008	51080005	51080005	51080005
70	SHCS	51060007	51060007	51060007	51060007	51080005	51080005	51120005
71	SHCS	51060005	51060005	51060005	51060005	51060005	51060005	51060005
72	SHCS	51050006	51050006	51050006	51050006	51060010	51060010	51060010
73	SHCS	51060012	51060012	51060012	51060012	51060012	51060012	51060012
74	SHCS	51060004	51060004	51060004	51060004	51060004	51060004	51060004
75	SHCS	51050004	51050004	51050004	51050004	51050004	51050004	51050004
76	Lockwasher	56100001	56100001	56100001	56100001	56120001	56120001	56160001
77	Lockwasher	56060001	56060001	56060001	56060001	56060001	56060001	56060001
78	Lockwasher	56050001	56050001	56050001	56050001	56050001	56050001	56050001
79	SHCS	51060017	51060017	51060017	51060017	51060018	51060018	51060018
80	Flat Washer	57060001	57060001	57060001	57060001	57060001	57060001	57060001
81	Flex Nut	60120001	60120001	60120001	60120001	60120001	60120001	60120001
83	Lockwasher	56070001	56070001	56070001	56070001	56070001	56070001	56070001
84	Hex Nut	58070002	58070002	58070002	58070002	58070002	58070002	58070002
85	Retainer Piston (Serrated)	A1316A	A1316A	A1964A	A1964A	A1077A	A1077A	A3129A
85	Retainer Piston (Smooth)	A1316B	A1316B	A1964B	A1964B	A1077B	A1077B	A3129B
85	Retainer Piston (Nylon)	A2604	A2604	A2605	A2605	A1089	A1089	A2273
86	Harden Washer	57120001	57120001	57120001	57120001	57120001	57120001	57120001
Gripper Nylon Inserts		A2601	A2601	A2601	A2601	A2602	A2602	A2602
Retainer Nylon Inserts		A2601	A2601	A2601	A2601	A2601	A2601	A2601
Numatic Valve		03080001	03080001	03080001	03080001	03080002	03080002	03080002
Numatic Valve Seal Kit		03080008	03080008	03080008	03080008	03080009	03080009	03080009
Numatic Valve Solenoid		03080003	03080003	03080003	03080003	03080007	03080007	03080007

Numatic Valve Sol. Pilot Assy	03080104	03080104	03080104	03080104			
Quick Exhaust 3/8	03090001	03090001	03090001	03090001			
Quick Exhaust 3/4					03090003	03090003	03090003
Qk. Exst. 3/8 Diaphragm (Wabco)	08060001	08060001	08060001	08060001			
Qk. Exst. 3/4 Diaphragm (Wabco)					08060003	08060003	08060003
Qk. Exst. 3/8 Gasket(Wabco)	08050001	08050001	08050001	08050001			
Qk. Exst. 3/4 Gasket (Wabco)					08050003	08050003	08050003
Q.E. 3/8 Gskt/Diaphragm Kit (SMC)	03090009	03090009	03090009	03090009			
Q.E. 3/4 Gskt/Diaphragm Kit (SMC)					03090010	03090010	03090010
Air Cylinder Seal Kit (Yates)	08070007	08070008	08070009	08070010	08070011	08070012	08070013
Air Cushion Seal Kit	08090001	08090001	08090001	08090001	08090001	08090001	08090002
* Air Cushion Complete Assy	B3798	B3798	B3798	B3798	B3798	B3798	B3852
* Indicate Width, Length and Feed Direction When Ordering Parts							

[10](#) [12](#) [14](#) [16](#) [18](#) [20](#) [22](#) [24](#) [26](#) [28](#) [30](#) [32](#) [34](#) [36](#) [38](#) [40](#) [42](#) [44](#) [46](#) [48](#) [50](#) [52](#) [54](#) [56](#) [58](#) [60](#) [62](#) [64](#) [66](#) [68](#) [70](#) [72](#) [74](#) [76](#) [78](#) [80](#) [84](#) [86](#)
[Top of Page](#)

40549 Brentwood • Sterling Heights, MI 48310 • (586) 979-4400 • Fax (586) 979-2970